

## Steca Tarom MPPT 6000, 6000-M

Steca Tarom MPPT контроллер заряда устанавливает новые стандарты в области MPPT трэкеров. Выдающаяся эффективность наряду с уникальными функциями безопасности выводит их на топ уровень.

Данные контроллеры имеют два входа которые могут быть подключены параллельно или работать отдельно. Каждый вход имеет свой собственный MPP трекер.

### Product features

- Two independent maximum power point trackers (MPP trackers)
- Two inputs (connected in parallel or used separately for two different module arrays)
- Robust metal casing
- Comprehensive data logging of energy values for up to 20 years
- Data logger Micro-SD card for all minute values (6000-M only)
- Voltage and current regulation
- Temperature compensation
- Monthly maintenance charge
- Three configurable multifunctional contacts (6000-M only)
- Adjustable cut-off voltages
- Battery type: gel/liquid lead battery (for 6000-M also Li, NiCd and NiMh batteries)
- Integrated, automatic module switch
- 36 V and 60 V batteries can be charged with special settings in expert menu level

### Electronic protection functions

- Overcharge protection
- Reverse polarity protection of module and battery
- Automatic electronic fuse
- Open circuit protection without battery
- Reverse current protection at night
- Overtemperature and overload protection
- PE connection

### Displays

- Multifunction graphical LCD display with backlighting
- Configuration via display unit

### Interfaces for the Steca Tarom MPPT 6000-M

- StecaLink Bus
- Open Steca RS232 interface
- Battery emergency off signal connection (optional, only for use with lithium-ion batteries)

### Options

- Connection for battery voltage sensor cable

### Certificates

- Compliant with European Standards (CE)
- RoHS compliant
- Made in Germany
- Developed in Germany
- Manufactured according to ISO 9001 and ISO 14001

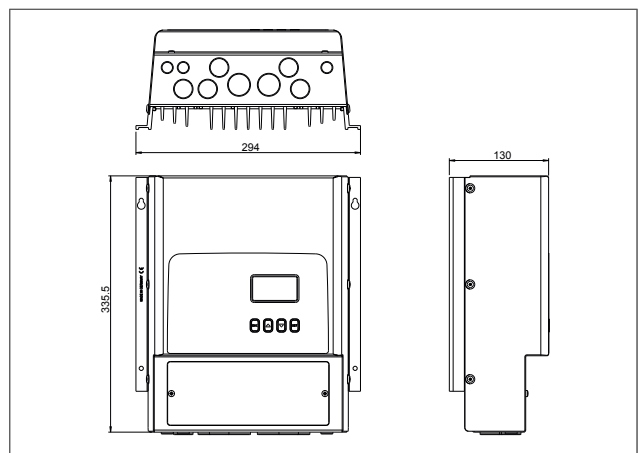
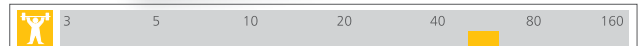
### Steca accessories

- External temperature sensor Steca PA TS-S (included in the scope of delivery)
- Data cable Steca PA CAB3 Tarcom (6000-M only)
- Current sensor Steca PA HS400 (6000-M only)

ADVANCED



60 A



MPPT 6000 / MPPT 6000-M	
<b>Characterisation of the operating performance</b>	
System voltage	12 V / 24 V / 48 V
Nominal power	900 W / 1,800 W / 3,600 W
Max. DC-DC efficiency	99.4 % ( $U_{\text{Batt}}=48 \text{ V}$ ; $U_{\text{In}}=70 \text{ V}$ ; $P=0,65 \cdot P_{\text{nom}}$ )
European efficiency	96.6 % ( $U_{\text{Batt}}=24 \text{ V}$ ; $U_{\text{In}}=30 \text{ V}$ ) 98.9 % ( $U_{\text{Batt}}=48 \text{ V}$ ; $U_{\text{In}}=70 \text{ V}$ )
European efficiency (weighted across all $U_{\text{Batt}}$ and $U_{\text{In}}$ )	96.4 %
Static MPP efficiency	99.9 % (DIN EN 50530)
Dynamic MPP efficiency	99.8 % (DIN EN 50530)
Weighted REW (Realistic Equally Weighted efficiency)	94.8 %
Own consumption	< 1 W
<b>DC input side</b>	
Min. MPP voltage / input	17 V / 34 V / 68 V
Max. MPP voltage / input	150 V / 180 V*
Min. open circuit voltage solar module / input (at minimum operating temperature)	20 V / 40 V / 80 V
Max. open circuit voltage solar module / input (at minimum operating temperature)	180 V / 200 V*
Module current / input	30 A
<b>Battery side</b>	
Charge current	60 A
End of charge voltage	14.1 V / 28.2 V / 56.4 V
Boost charge voltage	14.4 V / 28.8 V / 57.6 V
Equalisation charge	15 V / 30 V / 60 V
Set battery type	liquid (adjustable via menu)
<b>Operating conditions</b>	
Ambient temperature	-25 °C ... +50 °C
<b>Fitting and construction</b>	
Terminal (fine wire)	35 mm <sup>2</sup> - AWG 2
Degree of protection	IP 31
Dimensions (X x Y x Z)	295 x 335 x 125 mm
Weight	approx. 6,300 g

Technical data at 25 °C / 77 °F

\* Starting software version PU-APP 1.2.0